

030-2000  
Two-Point Free  
Float Baggage Lock



Designed for recreational vehicle baggage and compartment doors, this product is available in black or copper-nickel-chrome plated finish and features a two-point remote actuation and is power lockable.

- Two-point assembly ideally suited to fit 1.25" (31.8mm) and thicker foam core doors with linkage release efforts up to 7 lbs. (3 kg) per linkage rod

**FEATURES/BENEFITS:**

- Foam gasket on flange of housing provides resistance to water infiltration
- Paddle free-floats when locked
- Modern automotive styling
- Adaptable to powerlock actuation
- Paddle can be locked before door is shut
- Large handle provides comfortable finger access and greater ease of operation (ergonomics)



[www.trimarkcorp.com](http://www.trimarkcorp.com)

**TriMark Corporation**

500 Bailey Avenue  
P.O. Box 350  
New Hampton, Iowa 50659  
United States  
Tel: 641-394-3188  
Fax: 641-394-2392  
1-800-447-0343  
[www.trimarkcorp.com](http://www.trimarkcorp.com)

10002707 QM ISO 9001 : 2000  
10002707 TS2 ISO/TS 16949 : 2002  
UL REGISTERED COMPANY  
TriMark Corporation

**TriMark Europe**

Cedar Court  
Walker road  
Bardon Hill  
Coalville LE67 1TU  
United Kingdom  
Tel: +55 (0)1530 512460  
Fax: +44(0)1530 512461  
[www.trimarkeu.com](http://www.trimarkeu.com)

427961 QM ISO 9001 : 2000  
427961 UM ISO 14001 : 2004  
UL REGISTERED COMPANY  
TriMark Europe Ltd.

### AVAILABLE:

- Handle can be keyed to match other TriMark RV door products with KeyOne™ Plus for a single-key system, keyed alike or provided non-locking
- Linkage rods available for your specific applications
- Right or left hand configurations (right hand shown)



### MATERIAL:

- Sturdy zinc die cast alloy paddle and housing
- All steel parts (axles, pivot arm, pivot plate, lock cam): cold rolled steel with zinc plate clear chromate for corrosion resistance

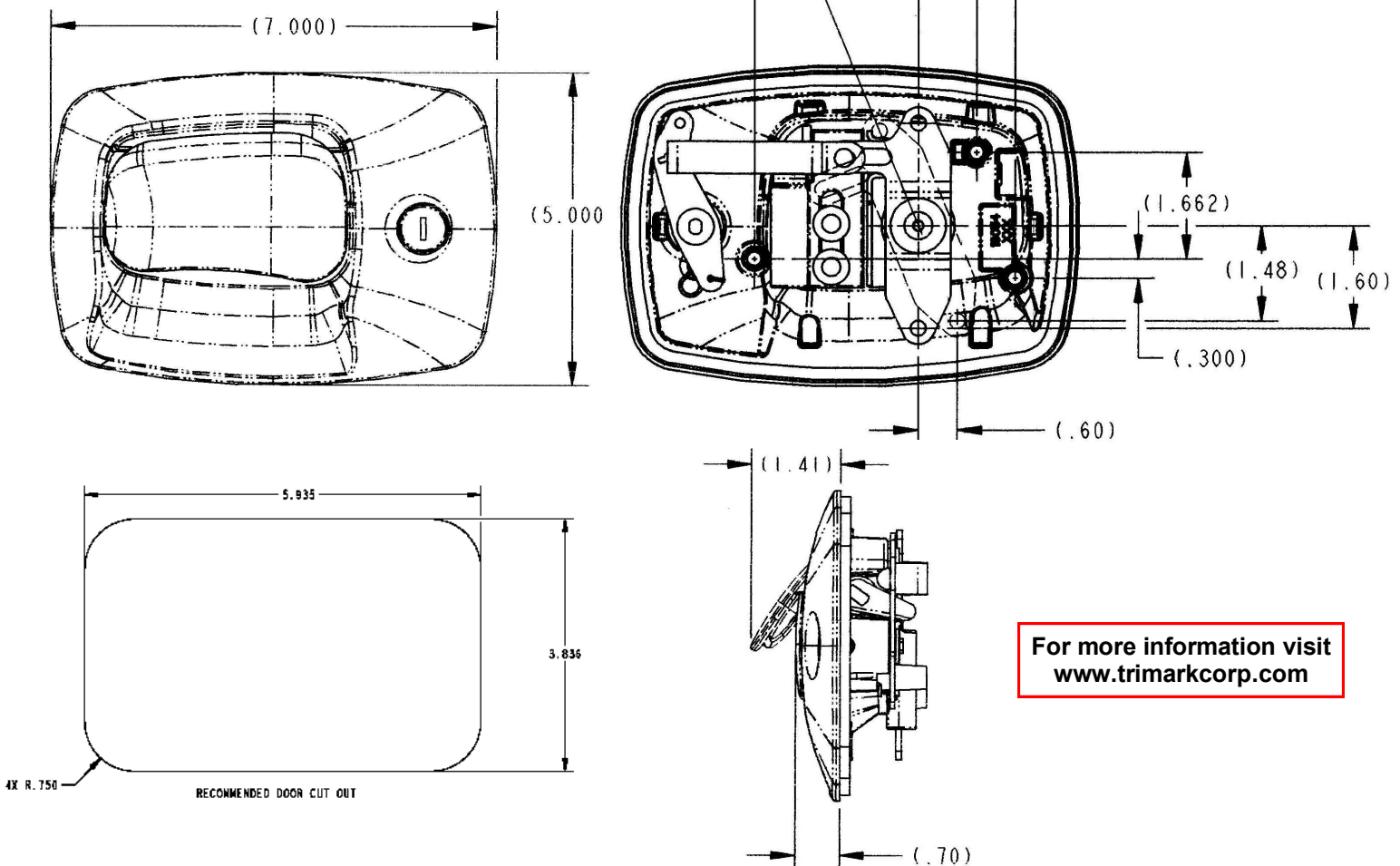
### FINISH:

- Supplied black powder coated, the product can easily be painted over to match body colors
- Also available copper-nickel chrome plated

### INSTALLATION:

- Easy drop-in installation
- Supplied with gasket already applied under recess in housing flange for simple, clean installation
- Mounts with (3) 1/4-20 UNC thread forming screws (not supplied)
- Optional mounting bracket and rod designed for easy installation of power actuation
- Either handed version can be installed in a wide range of locations in door -- horizontal or vertical orientation

Individual part dimensions are for reference only. Refer to individual part drawings for complete dimensions, specifications, and installation procedures. Engineering assistance and application drawings are available.



For more information visit  
[www.trimarkcorp.com](http://www.trimarkcorp.com)